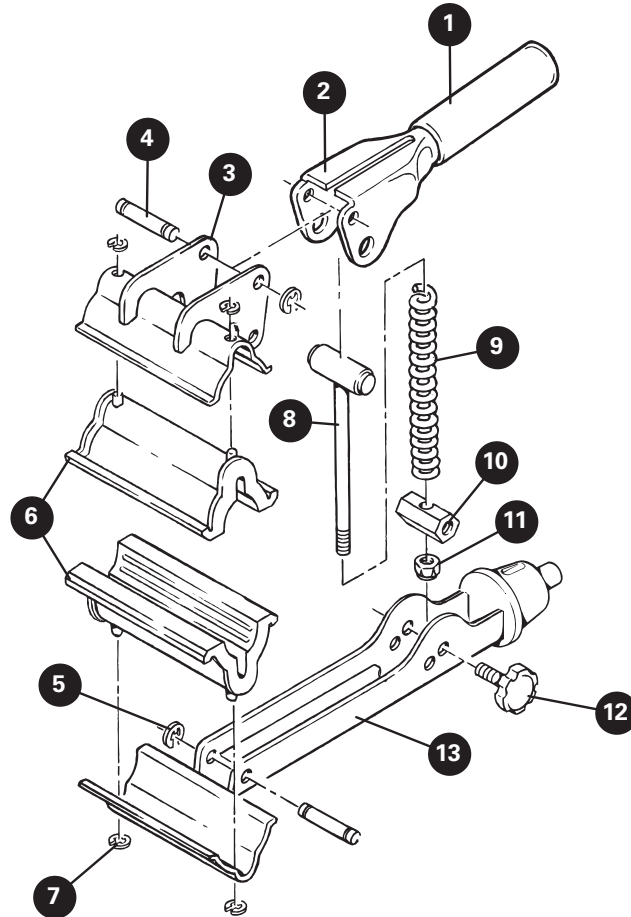




100-1C REPAIR STAND CLAMP (POST-12/01)



Ref. No.	Part No.	Description	Qty.
1	138	Handle Grip	1
2	103-2	Handle	1
3	101-2	Movable Jaw	1
4	107-CS	Pin	2
5	107-2	5/16" Circlip	4
6	468G	Jaw Cover Set (2), Includes Circlips	1
7	467-1	3/16" Circlip	4
8	110B	Linkage	1
9	111A-6	Spring	1
10	112A-CS-R	Linkage Pivot	1
11	113A	Nut, 5/16 - 18 Thin Nylon Lock	1
12	112B-R	Linkage Pivot Knob	2
13	102-2R	Revised Rotating Shaft and Jaw	1