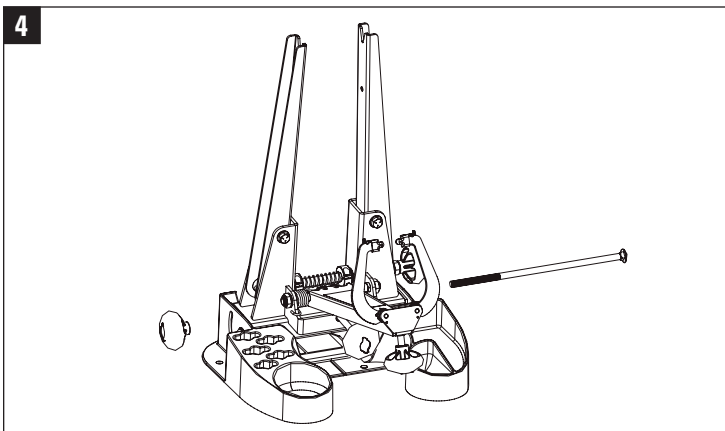
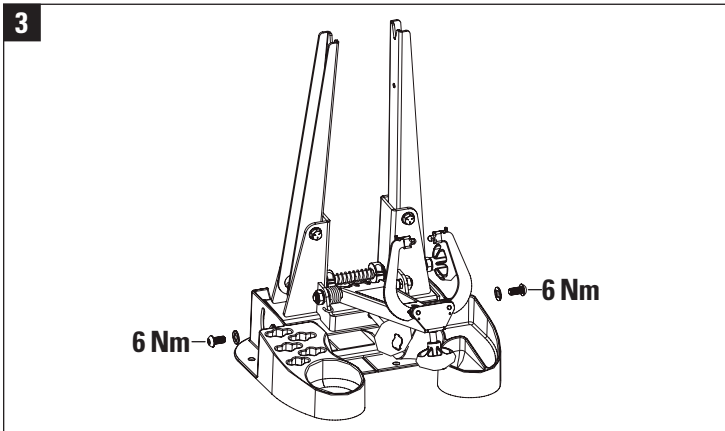
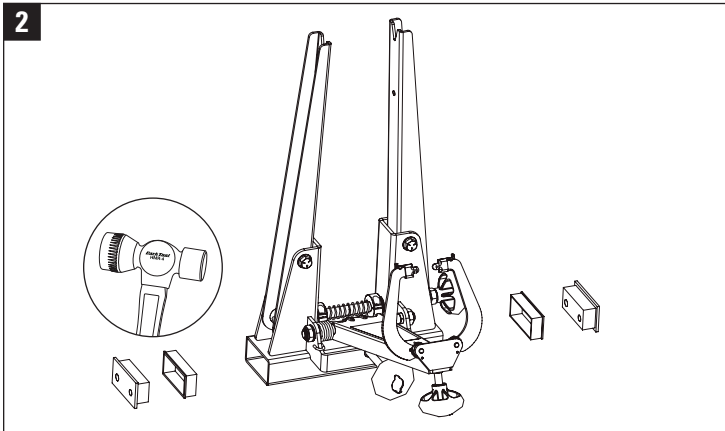
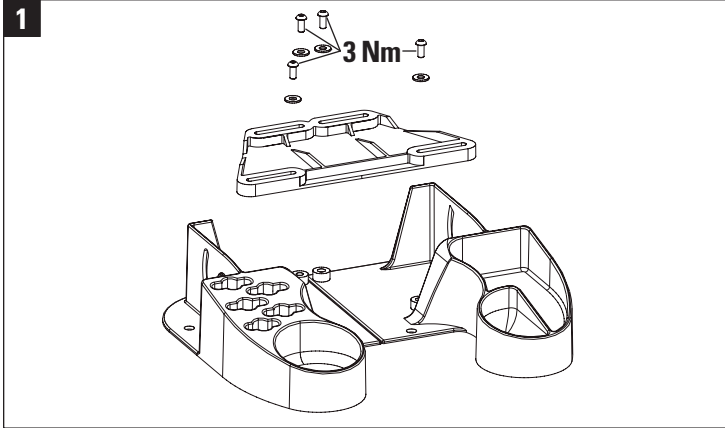
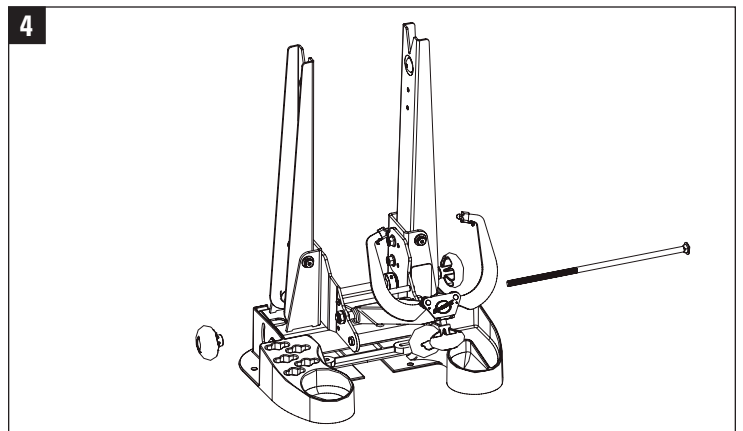
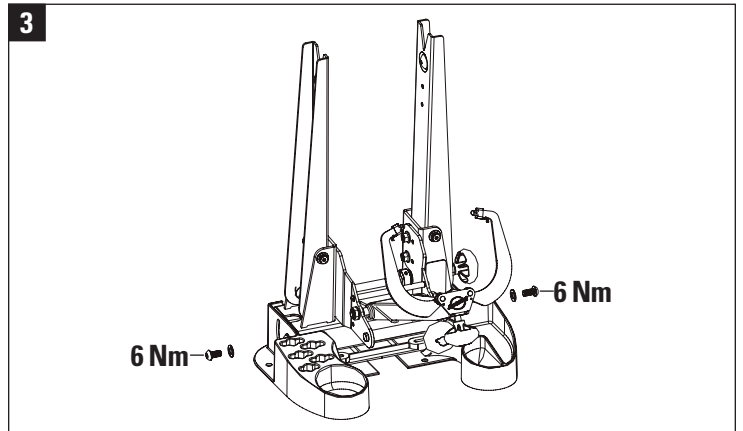
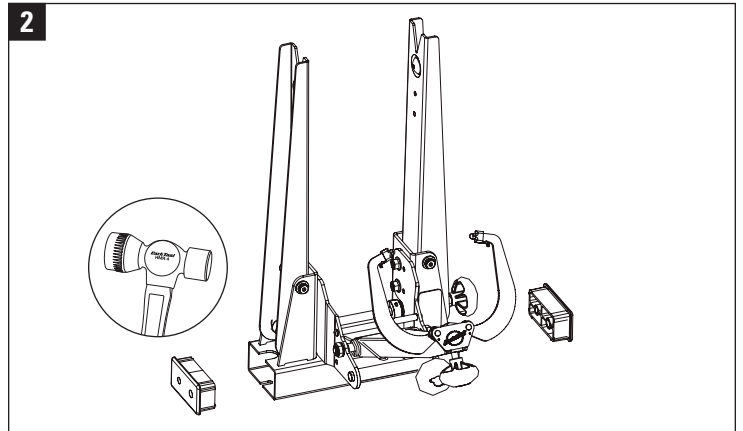
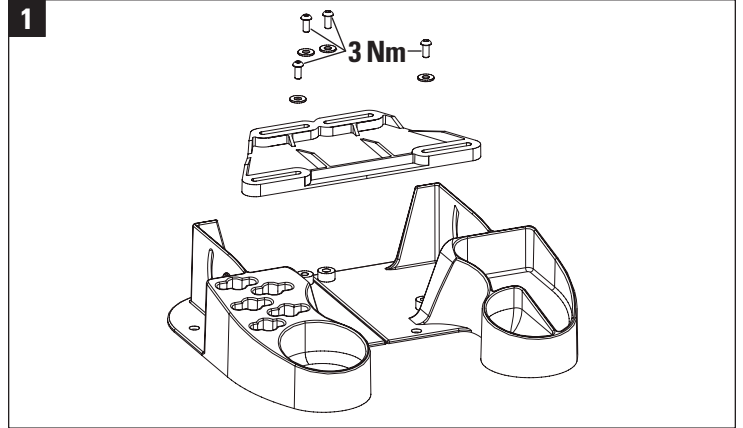
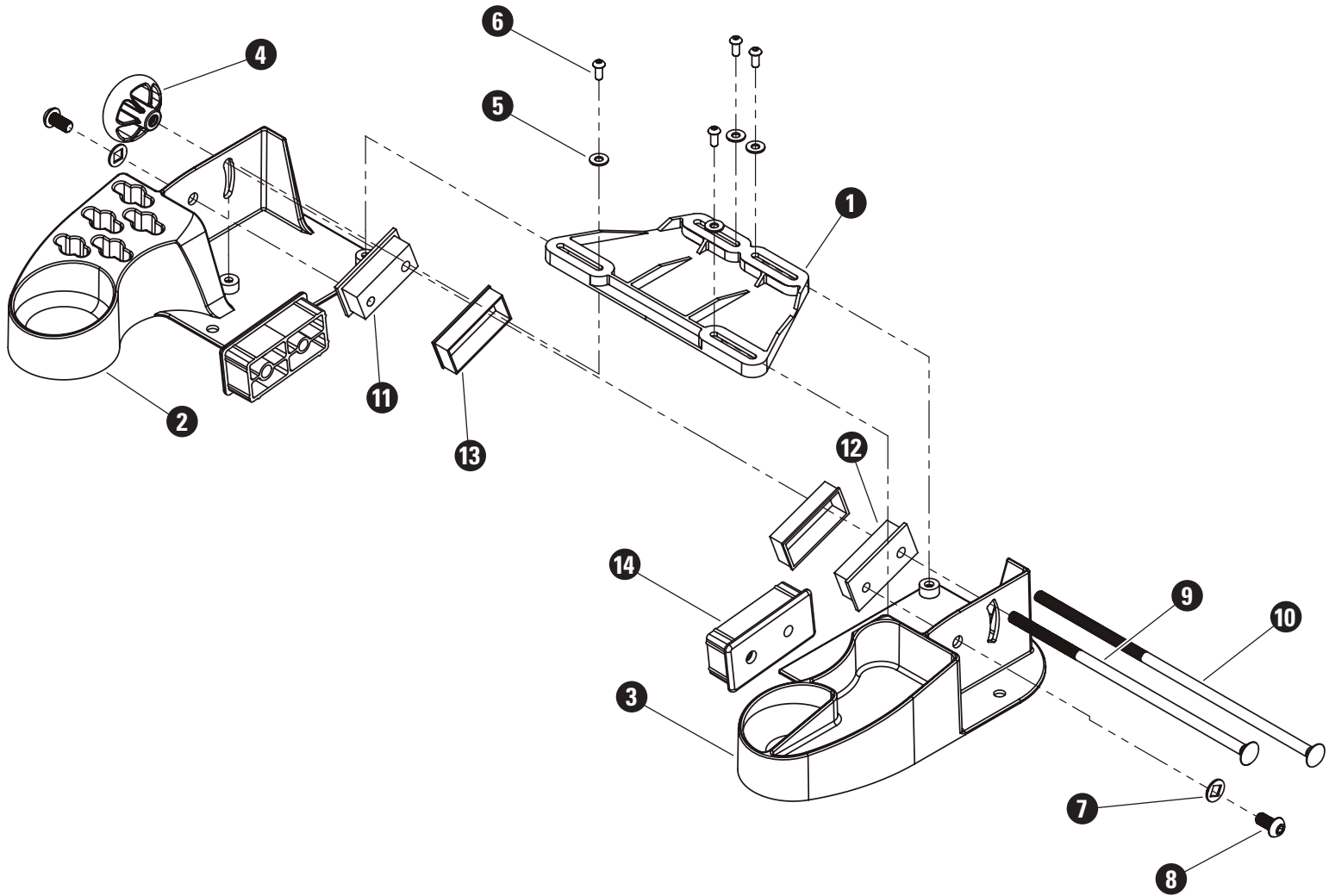


TSB-2.2



TSB-4





TSB-2.2 & TSB-4 PART NUMBERS

Ref. #	Part #	Description	Qty.
1	2437	Slider	1
2	2435	Base Left	1
3	2436	Base Right	1
4	2439	Knob	1
5	1926-4	Washer	4
6	1145-126	Button Head Cap Screw, M6x 1.0x 14	4
7	260-1	Square Hole Washer	2
8	260-3	Metric Cap Screw, 10x 1.5x 20	2
9	260-2	Carriage Bolt (TSB-2.2)	1
10	2440	Carriage Bolt (TSB-4)	1
11	260-L	Left Hand End Cap (TSB-2.2)	1
12	260-R	Right Hand End Cap (TSB-2.2)	1
13	260-5	Rectangular Adaptor Shim (TSB-2.2)	2
14	2438	TS-4 End Cap (TSB-4)	2