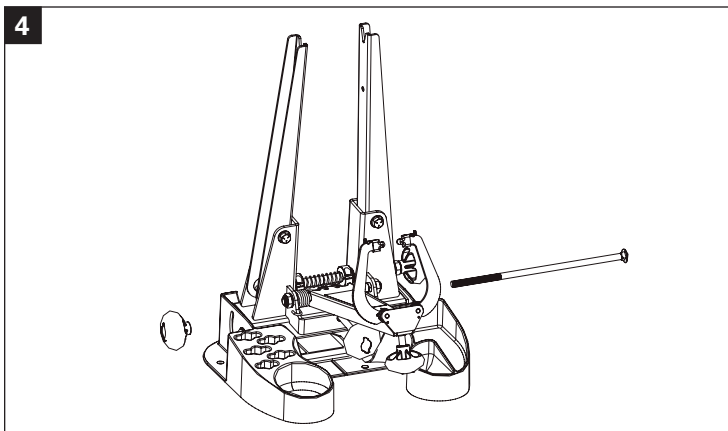
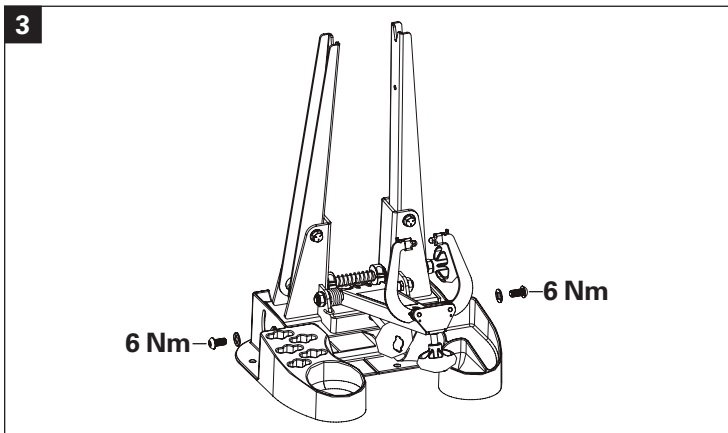
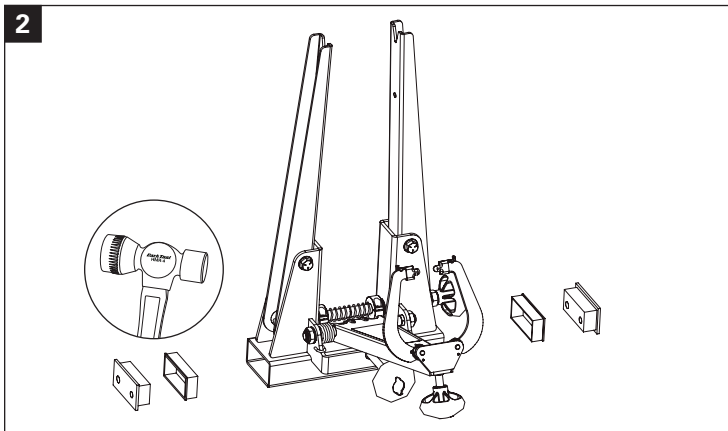
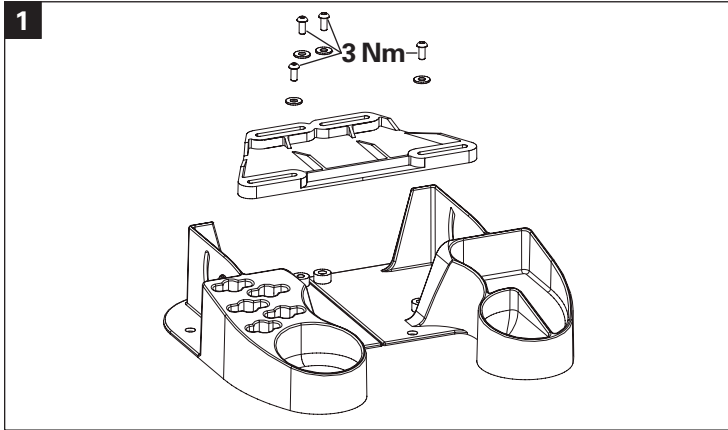
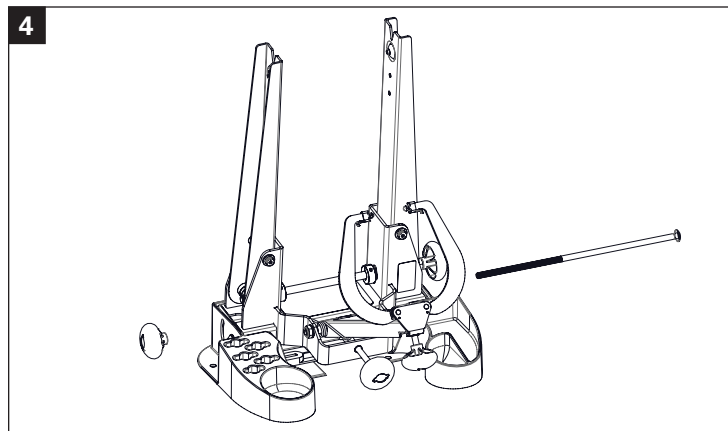
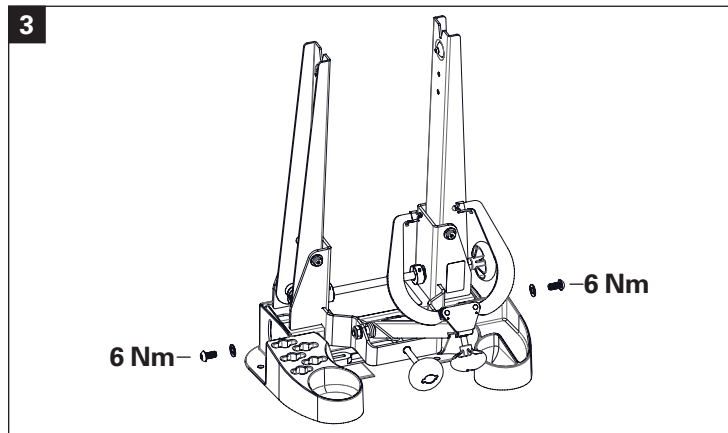
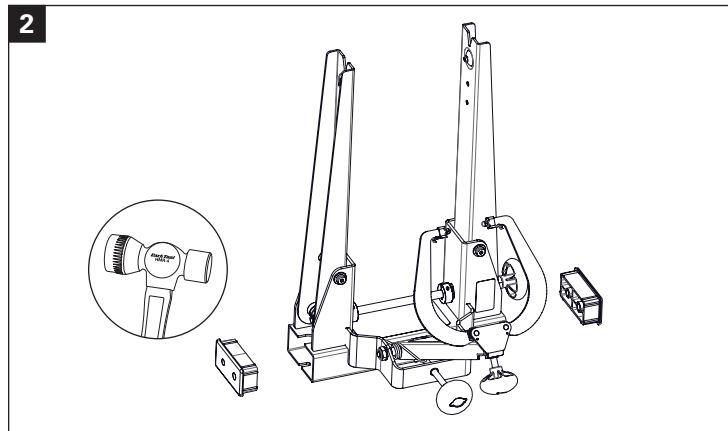
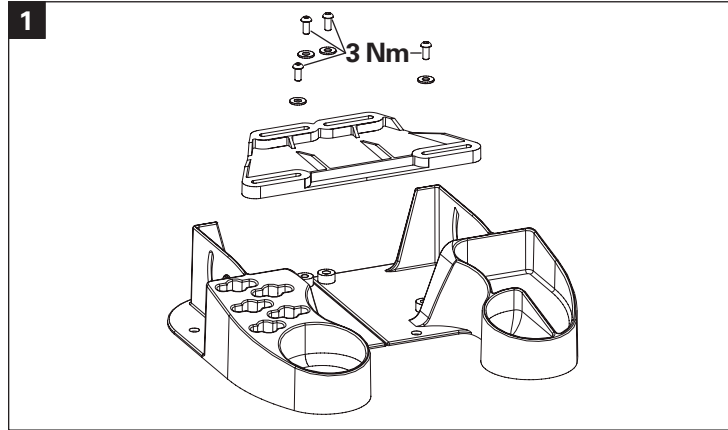
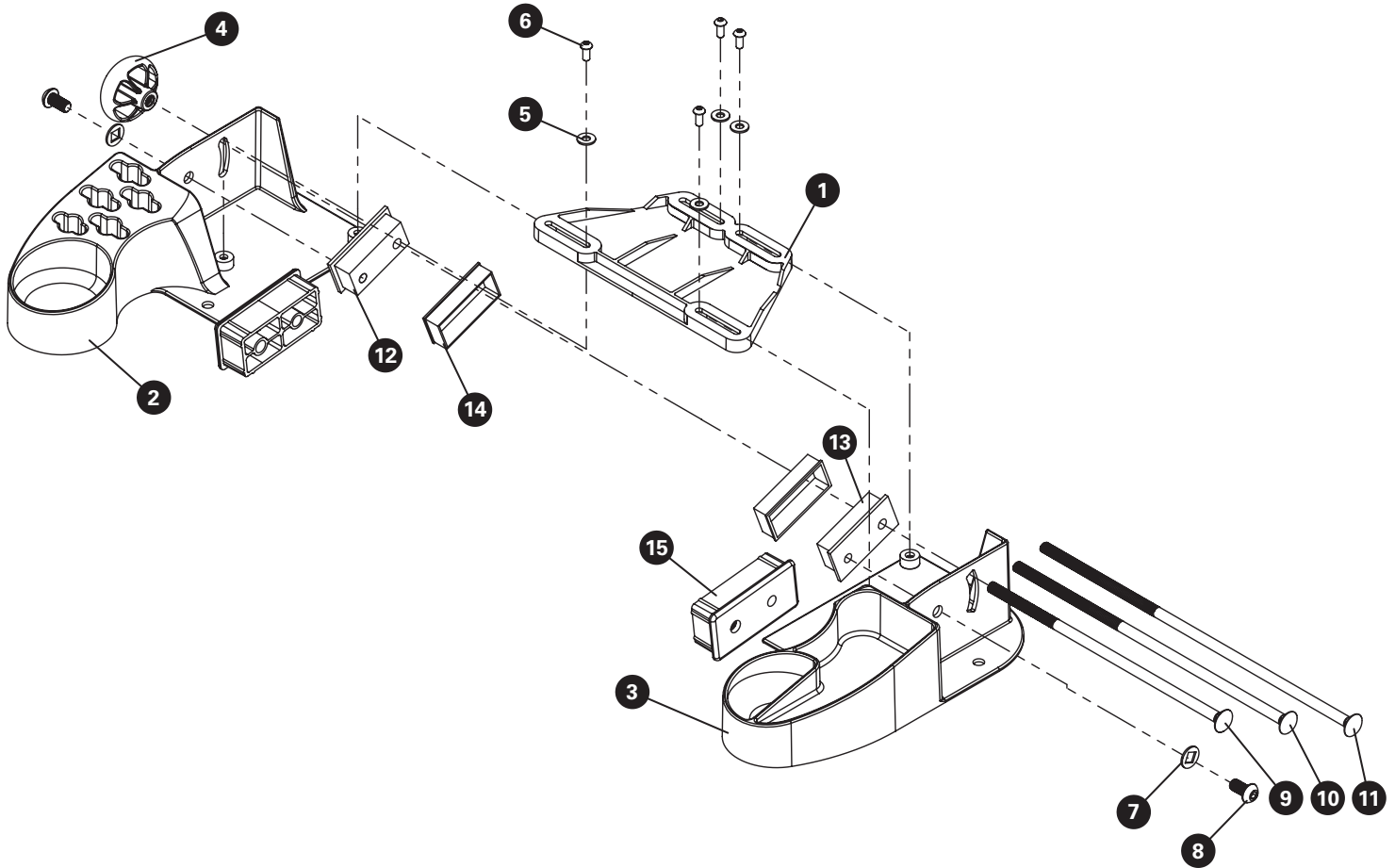


TSB-2.2



TSB-4 / 4.2





TSB-2.2/4/4.2 PART NUMBERS

| Ref. # | Part # | Description | Qty. |
|--------|----------|--------------------------------------|------|
| 1 | 2437 | Slider | 1 |
| 2 | 2435 | Base Left | 1 |
| 3 | 2436 | Base Right | 1 |
| 4 | 2439 | Knob | 1 |
| 5 | 1926-4 | Washer | 4 |
| 6 | 1145-126 | Button Head Cap Screw, M6x 1.0x 14 | 4 |
| 7 | 260-1 | Square Hole Washer | 2 |
| 8 | 260-3 | Metric Cap Screw, 10x 1.5x 20 | 2 |
| 9 | 260-2 | Carriage Bolt (TSB-2.2) | 1 |
| 10 | 2440 | Carriage Bolt (TSB-4) | 1 |
| 11 | 2441 | Carriage Bolt (TSB-4.2) | 1 |
| 12 | 260-L | Left Hand End Cap (TSB-2.2) | 1 |
| 13 | 260-R | Right Hand End Cap (TSB-2.2) | 1 |
| 14 | 260-5 | Rectangular Adaptor Shim (TSB-2.2) | 2 |
| 15 | 2438 | TS-4/TS-4.2 End Cap (TSB-4, TSB-4.2) | 2 |