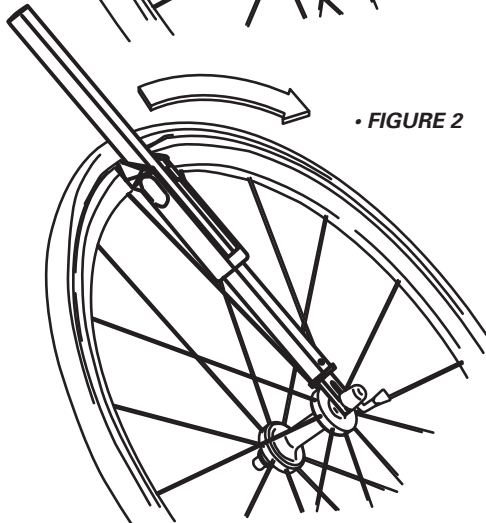
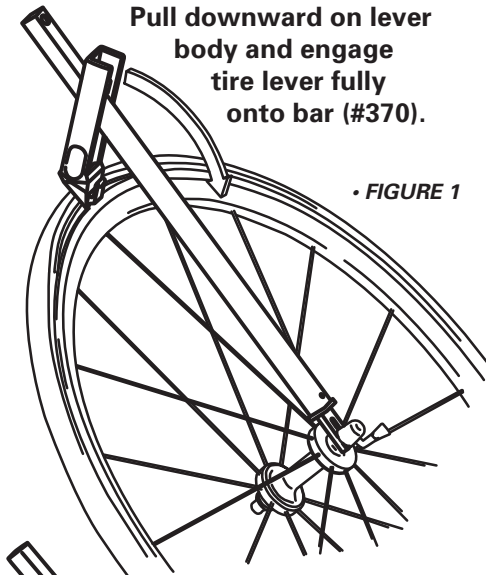


PARK TOOL TL-10

SHOP TIRE TOOL INSTRUCTIONS

TIRE REMOVAL

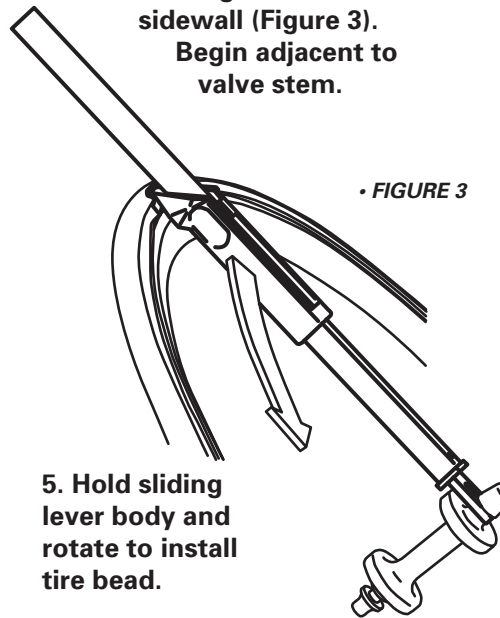
1. Completely deflate tire and loosen tire bead from rim.
2. With tip of sliding lever (#371) facing wheel, press axle holder (#372) onto axle.
3. Engage tip of sliding lever under tire bead (Figure 1). Pull downward on lever body and engage tire lever fully onto bar (#370).



4. Holding sliding lever to bar, push on lever, rotating it around the wheel to remove tire (Figure 2).

TIRE INSTALLATION

1. Install inner tube into tire.
2. Place tire and tube onto rim and engage one bead by hand.
3. Engage axle holder onto axle.
4. Engage installation hook on the sliding lever over rim sidewall (Figure 3). Begin adjacent to valve stem.



5. Hold sliding lever body and rotate to install tire bead.

Note: Certain combinations of tire and rim brands may be extremely tight. Use care when working with these combinations.

