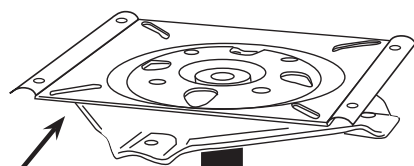
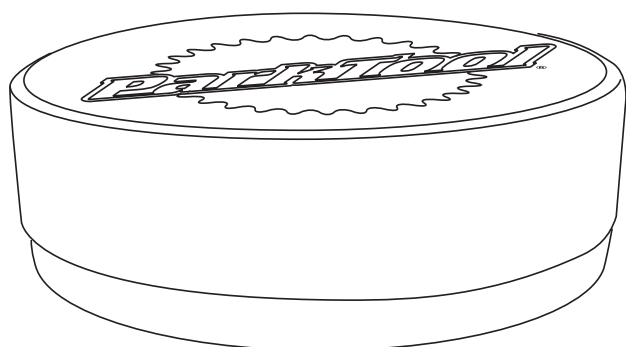




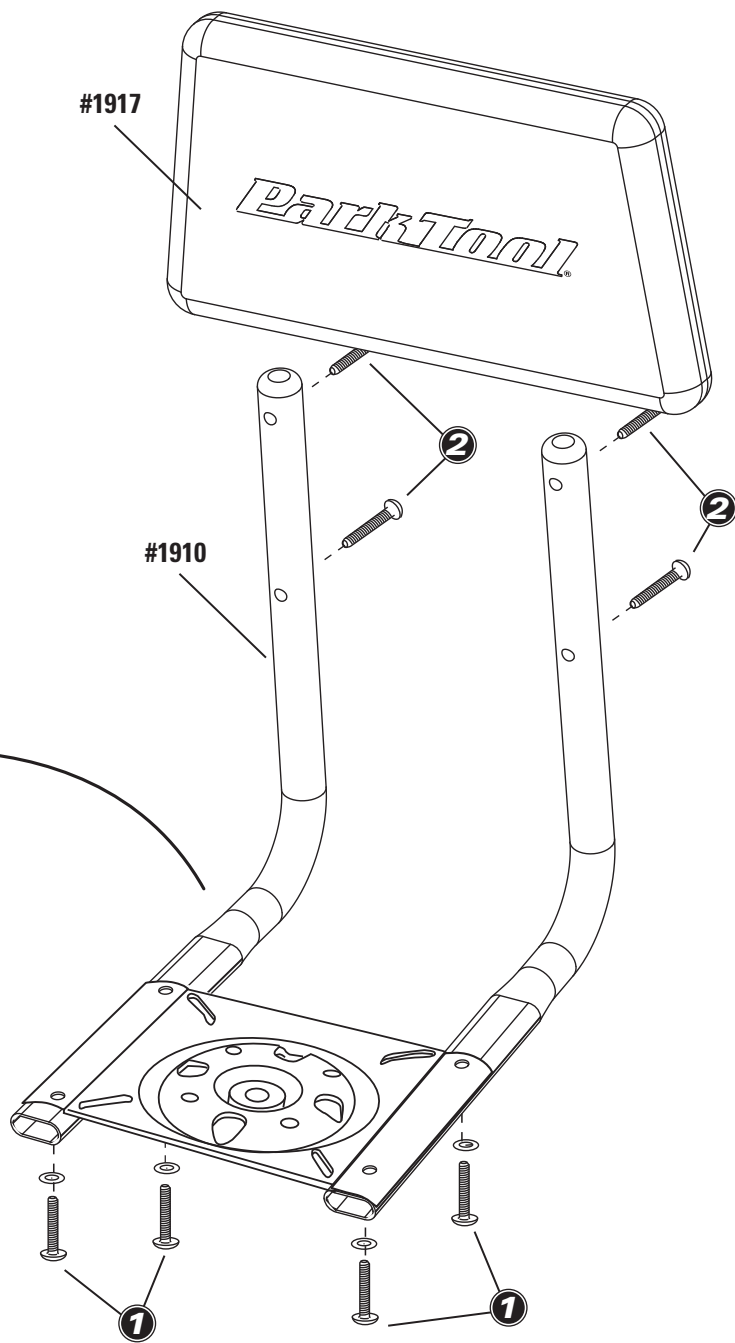
# STL-3K Shop Stool Back Kit



Park Tool Co. 5115 Hadley Ave. N., St. Paul, MN 55128 (USA) www.parktool.com

**\*For use with STL-1.2 ONLY**



**\*STL-1.2 Swivel**



<b>1</b>		<b>#1902</b>	<b>x4</b>
<b>2</b>		<b>#1903</b>	<b>x4</b>