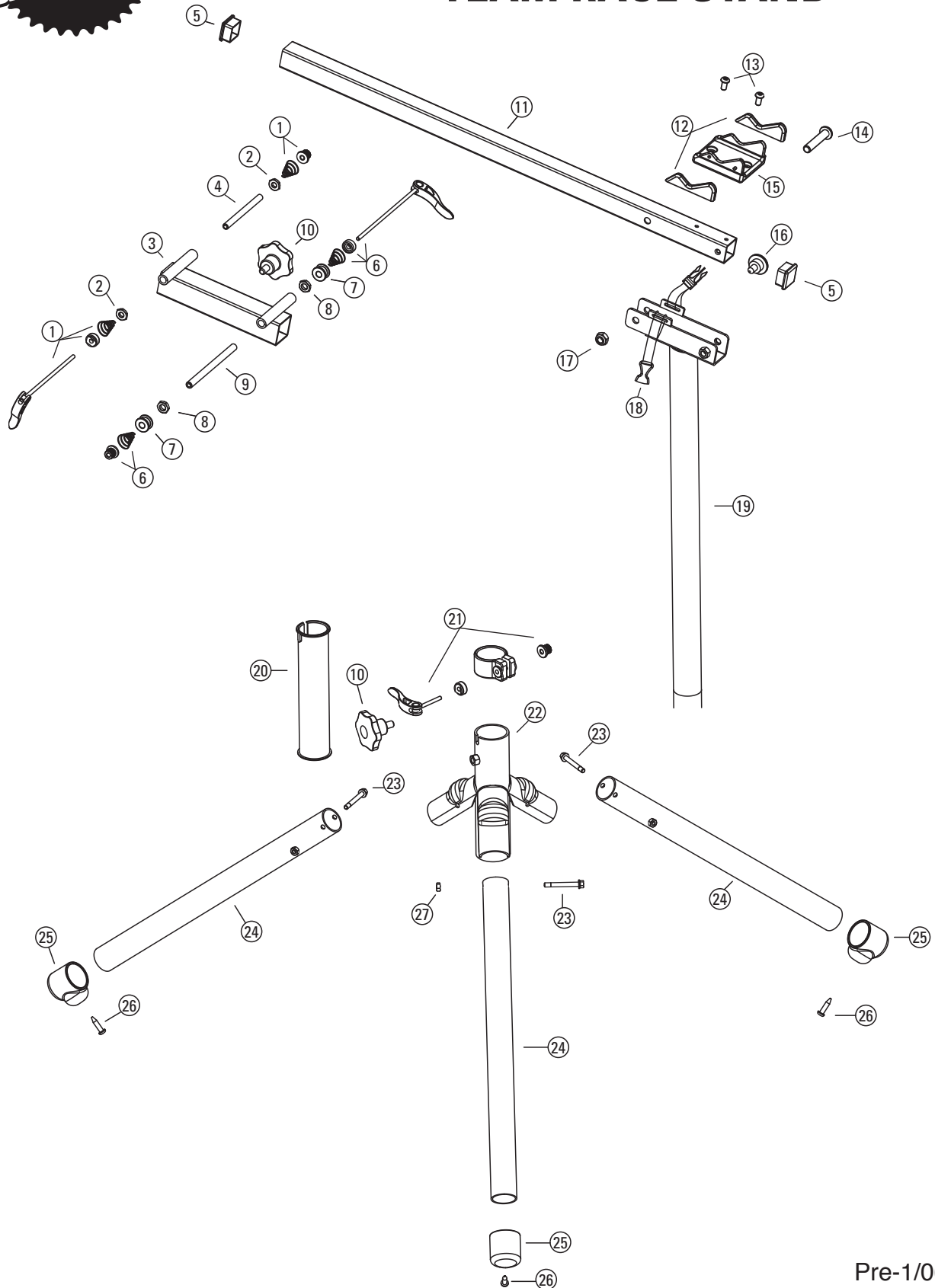




PRS-20 TEAM RACE STAND



PARTS LIST FOR PRS-20 TEAM RACE STAND

Ref. No.	Part No.	Description	Qty.
1	1729A	Front Quick Release Assembly	1
2	1728-2	Front Axle Nut	2
3	1730	Slider Tube Weldment	1
4	1727	Front Axle	1
5	1715-2	Horizontal Beam End Cap	2
6	1722A	Rear Quick Release Assembly	1
7	1721-2	Rear Axle Idler Ring	2
8	1720-2	Rear Axle Nut	2
9	1719	Rear Axle	1
10	1706-2	Large Knob and Shaft	2
11	1716	Horizontal Beam Tube	1
12	1712-2	Saddle Cover	2
13	1257-2	Saddle Button Head Socket Cap Screw 1/4 - 20 x 3/8"	2
14	1283X	Pivot Button Head Socket Cap Screw M10 x 50	1
15	1711	Bottom Bracket Saddle	1
16	1713	Horizontal Beam Knob and Shaft	1
17	1285X	Pivot Screw Nylok Nut	1
18	1714	Strap and Clip	1
19	1710	Upright Weldment	1
20	1701	Upright Sleeve	1
21	1707	Clamping Collar Quick Release Assembly	1
22	1705	Yoke Weldment	1
23	479-6	Leg Bolt 1/4 - 20 x 2"	3
24	1700-3	Leg Tube	3
25	1215-2	Leg Cap	3
26	1216-4	Leg Attachment Cap Screw	3
27	480-6	Leg Nylok Nut 1/4 - 20	3