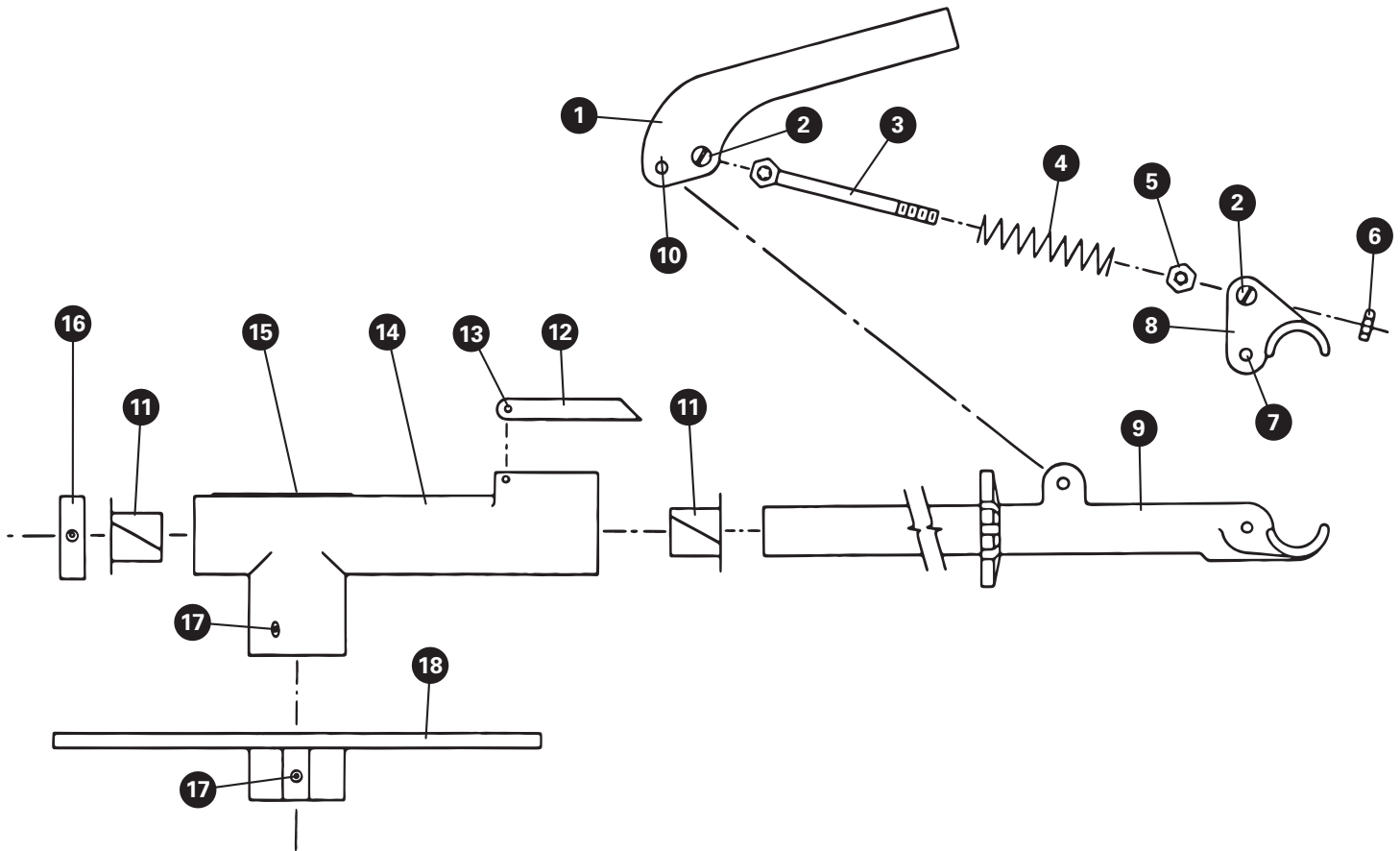




Repair Stand PRS-1



Ref. No.	Part No.	Description
1	103A	Handle
2	116S	Cap Screw 5/16 - 18 x 3/8
3	110A	Linkage
4	111A	Spring
5	112A	Linkage Pivot
6	113A	Jam Nylok Nut 5/16 - 18
7	107S-2	Pin 5/16 with Circlips and Washers
8	101A	Moveable Jaw - blue dipped
9	102A	Rotating Shaft
10	108A	Split Pin 5/16 x 1-3/4
11	118A	Nylon Bushing
12	119A	Lever
13	120A	Split Pin 5/32 x 7/8
14	105A	Sleeve
15		Decal
16	122A	Shaft Collar
17	106S	Set Screw 3/8 - 16 x 3/8
18	104S	Tray