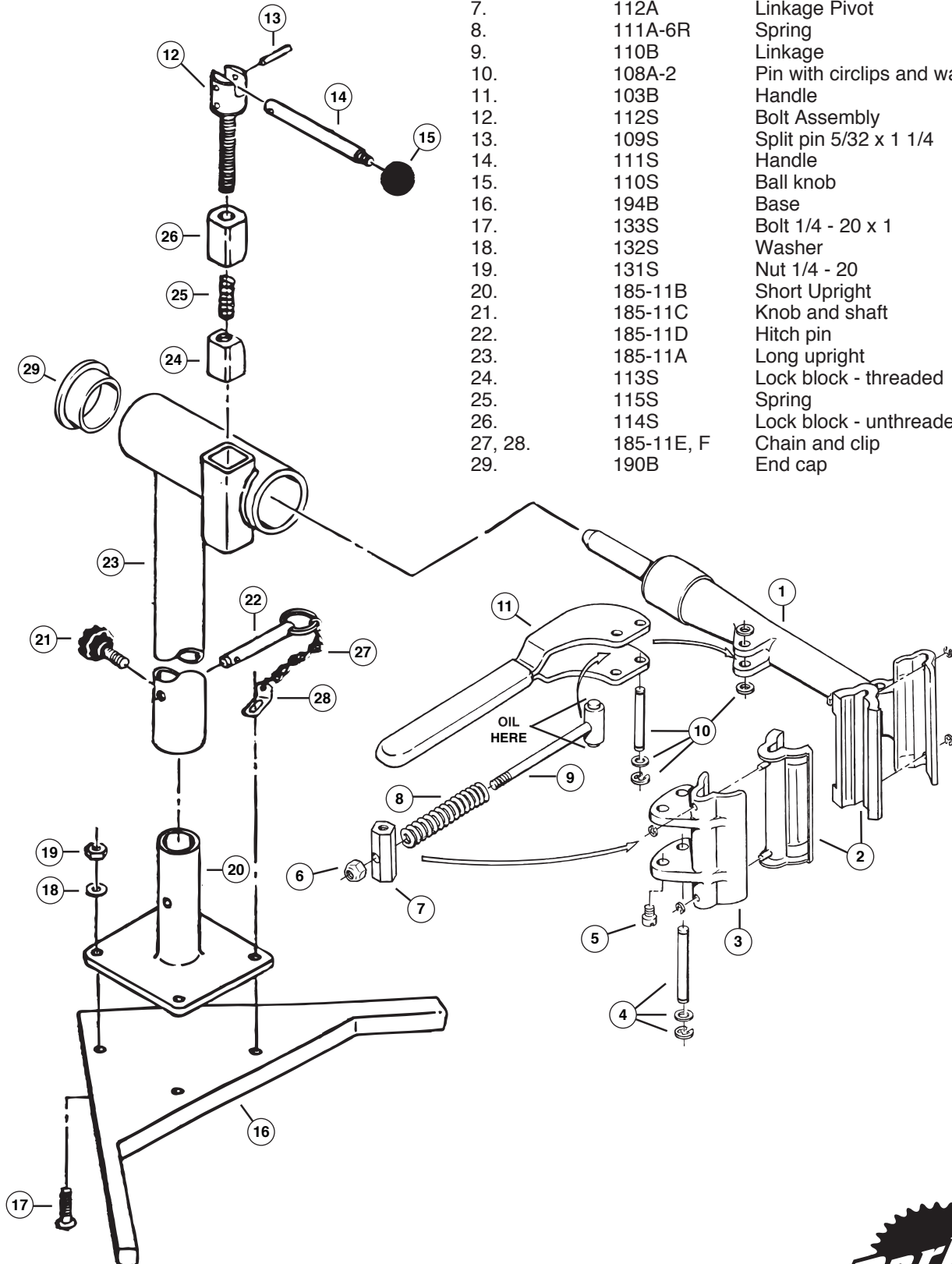


# PARK TOOL REPAIR STAND PRS-11



REF. NO.	PART NO.	DESCRIPTION
1.	102-3	Rotating shaft
2.	468B	Jaw cover set, includes circlips
3.	101-8	Movable jaw
4.	107S-2	Pin with circlips and washers
5.	116S	Cap Screw, 5/16 - 18 x 3/8"
6.	113A	Thin Nylok Nut, 5/16 - 18
7.	112A	Linkage Pivot
8.	111A-6R	Spring
9.	110B	Linkage
10.	108A-2	Pin with circlips and washers
11.	103B	Handle
12.	112S	Bolt Assembly
13.	109S	Split pin 5/32 x 1 1/4
14.	111S	Handle
15.	110S	Ball knob
16.	194B	Base
17.	133S	Bolt 1/4 - 20 x 1
18.	132S	Washer
19.	131S	Nut 1/4 - 20
20.	185-11B	Short Upright
21.	185-11C	Knob and shaft
22.	185-11D	Hitch pin
23.	185-11A	Long upright
24.	113S	Lock block - threaded
25.	115S	Spring
26.	114S	Lock block - unthreaded
27, 28.	185-11E, F	Chain and clip
29.	190B	End cap

