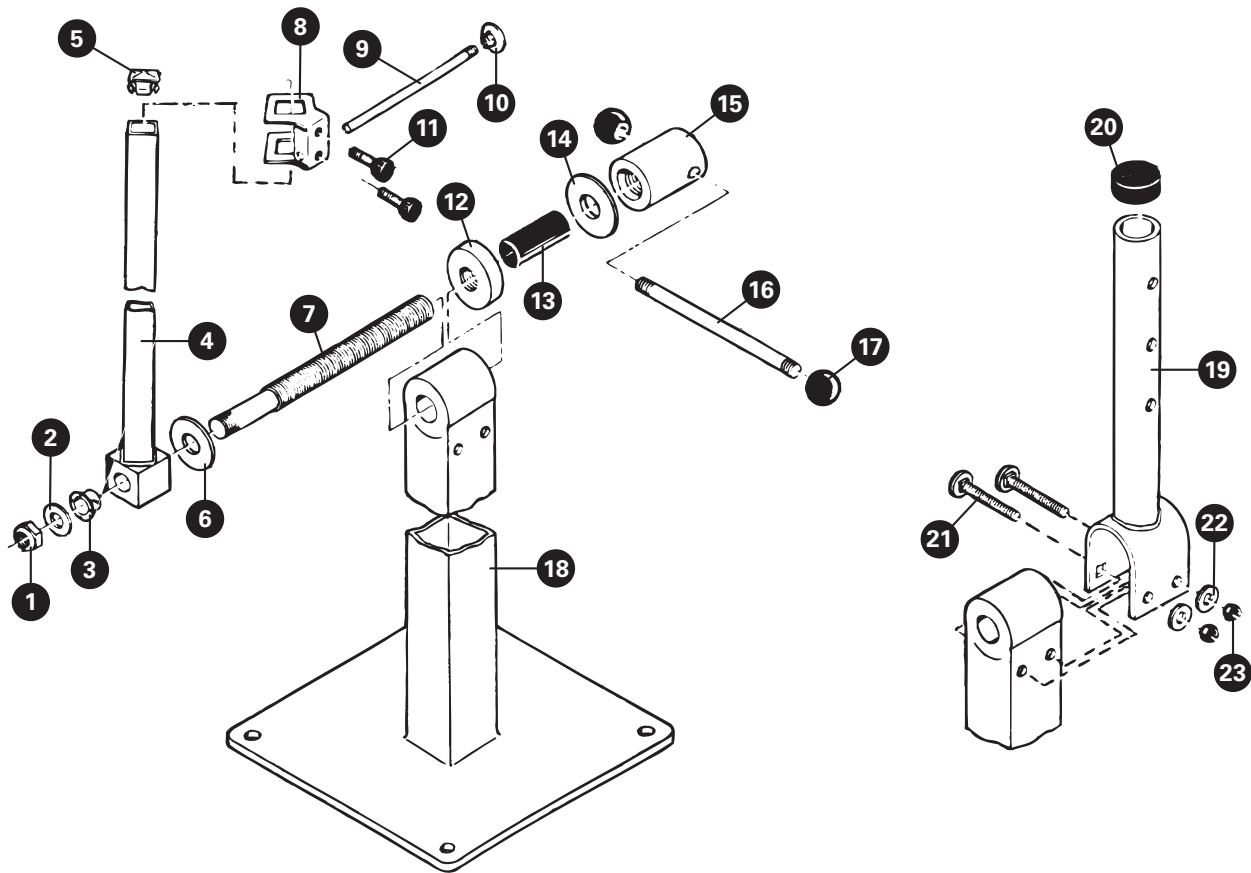


# FRAME REPAIR STAND FRS-1 AND ADAPTOR #990 TO CONVERT TO FRS/RS



<u>Ref. No.</u>	<u>Part No.</u>	<u>Description</u>
1	564	Lock Nut 3/4"
2	563	Washer 3/4"
3	566	Nylon Bushing
4	561	Gauge Arm
5	565	Tubing End Cap
6	573	Brass Washer 3/4"
7	556	Threaded Shaft
8	550	Sliding Bar Holder
9	567	Sliding Gauge Bar
10	569	Gauge Bar Pad
11	570	Knob and Shaft
12	555	Collar
13	574	Vinyl Bushing
14	562	Brass Washer 1"
15	552	Threaded Boss
16	553	Sliding Handle
17	557	Knob
18	572	Base and Upright

<u>Ref. No.</u>	<u>Part No.</u>	<u>Description</u>
	990	Adaptor Complete
19	989	Upright to Convert to FRS/RS
20	179	End Cap
21	994	Carriage Bolt 3/8 - 17 x 1 3/4
22	995	Washer 3/8" SAE
23	996	Nut 3/8 - 16