

## BKD-1 Hydraulic Brake Bleed Kit – DOT

The BKD-1 Hydraulic Brake Bleed Kit—DOT will bleed most models of DOT fluid bicycle brakes. The BKD-1 includes the syringes, hoses (including shut off clips), bleed blocks, frame attachable syringe mount, and adaptors needed to service SRAM®, Hayes®, Hope™, Formula™, and other brands. Includes a tool case to keep everything organized. The BKD-1 Hydraulic Brake Bleed Kit does not include brake fluid.

### Safety Warning:

Wear safety glasses and gloves while bleeding brakes and avoid all fluid contact with eyes and skin.

FOLLOW BRAKE FLUID MANUFACTURER'S SPECIFIC RECOMMENDATIONS REGARDING CONTACT, INGESTION, CLEANUP AND DISPOSAL INSTRUCTIONS.

**Notes:** Bleeding tools and syringes for mineral fluid brakes should never be used for DOT brake systems or with DOT brake fluid. The DOT fluid and Mineral oils should never be mixed in the brake system or in their respective service tools. Using incompatible fluid may cause seal failure which may result in brake failure. For brakes using Mineral Oil use the Park Tool BKM-1 Hydraulic Brake Bleed Kit—Mineral.

The specific service parts and adaptors for brake bleeding vary with each brand. Inspect the brake and the bleed port fittings to determine the correct adaptor from the BKD-1. Measure the bleed port fitting thread diameter to match with the correct BKD-1 adaptors. To match thread pitch, hold the two threads one on top of the other to see if threads properly mesh together. See Table 1 for details on the parts and adaptors and their common uses.

When storing the hose assemblies, leave the closing clips open. Clean syringes, hose and fittings with alcohol when necessary.

Although all hydraulic brake service shares the concept of injecting new fluid and bleeding out air and old fluid, there are many variations on the procedures to bleed particular makes and models. See the repair help area of [www.parktool.com](http://www.parktool.com) for detailed video instructions on bleeding brakes, or contact the brake manufacturer for their specific bleeding procedures.

**For complete videos and instructions, visit [www.parktool.com](http://www.parktool.com).**

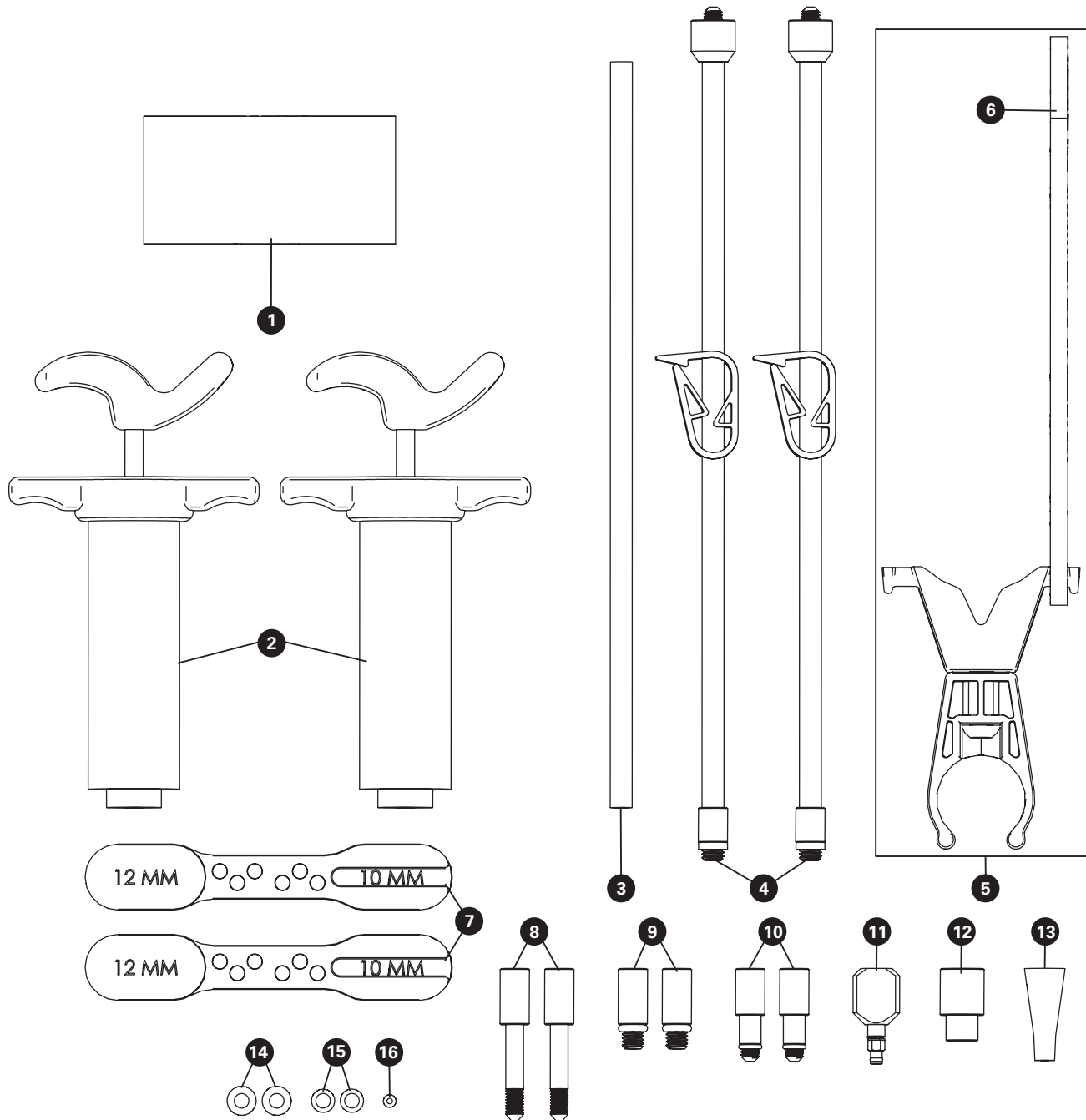
***Vollständige Videos und Anweisungen finden Sie unter [www.parktool.com](http://www.parktool.com).***

***Para ver videos completos e instrucciones, visite [www.parktool.com](http://www.parktool.com).***

***Pour des vidéos et des instructions complètes, visitez [www.parktool.com](http://www.parktool.com).***

**TABLE 1**

Part #	Description	Notes
2616-2	DOT Oil Syringes	DOT fluid syringes (quantity 2) with removable handles and plungers to allow cleaning. The syringe body uses internal M6x1.0mm thread to accept hose assemblies 2617.
2617A	DOT Oil Hose Assembly	Hose assemblies with closing clips and adaptor in M5x0.8mm external thread to accept other adaptors in kit
2588	Hose Compression Sleeve	Slides over open hose to help secure the hose to caliper bleed nipples
2610	Adaptor for Hayes® (Black)	Funnel shaped adaptor for Hayes® HFX Mag series
2618A	Adaptor for SRAM® with O-Ring—M5x0.8mm (Red)	Adaptor for SRAM®, Avid® and others
2585-2	Adaptor for Hayes®—M5x0.8mm (Silver)	Adaptor for Hayes® and others
2612A	Adaptor for SRAM® Bleeding Edge™ with O-Ring (Silver)	For SRAM® Bleeding Edge™ fitting
2584AD	Universal Adaptor with O-Ring—M6x1.0mm	Adaptor in M6x1.0mm
2581-2	Universal Bleed Block	Double sided block with 10mm and 12mm. Two blocks included for double piston calipers.
2578A	Syringe Holder Assembly with Strap	Syringe holder secures syringe to fork or rear stay during bleed
2596-3	Extra Hose Section	Section of extra hose for system bleeding into disposal bag
2595	Fluid Disposal Bag	Fluid disposal bag for calipers that bleed directly to disposal system
2611-6	DOT Fluid Adaptor O-Ring	Extra O-ring for adaptors
2619-2	DOT Fluid Adaptor O-Ring	Extra O-ring for adaptor 2618A
2614	DOT Fluid Adaptor O-Ring	Extra O-ring for adaptor 2612A



## BKD-1 PART NUMBERS

Ref. #	Part #	Description	Qty.
1	2620	Fitting Box	1
2	2616-2	DOT Fluid Syringe	2
3	2596-3	Extra Hose Section	1
4	2617A	DOT Fluid Hose Assembly	2
5	2578A	Syringe Holder Assembly with Strap	1
6	2577	Syringe Holder Strap	1
7	2581-2	Universal Bleed Block	2
8	2585-2	Adaptor for Hayes®—M5x0.8mm (Silver)	2
9	2584AD	Universal Adaptor with O-Ring—M6x1.0mm (Black)	2

Ref. #	Part #	Description	Qty.
10	2618A	Adaptor for SRAM® with O-Ring—M5x0.8mm (Red)	2
11	2612A	Adaptor for SRAM® Bleeding Edge™ with O-Ring (Silver)	1
12	2588	Hose Compression Sleeve	1
13	2610	Adaptor for Hayes® (Black)	1
14	2611-6	DOT Fluid O-Ring	4
15	2619-2	SRAM® Adaptor O-Ring	2
16	2614	SRAM® Bleeding Edge™ O-Ring	1
—	2598K	Seal Rebuild Kit	—