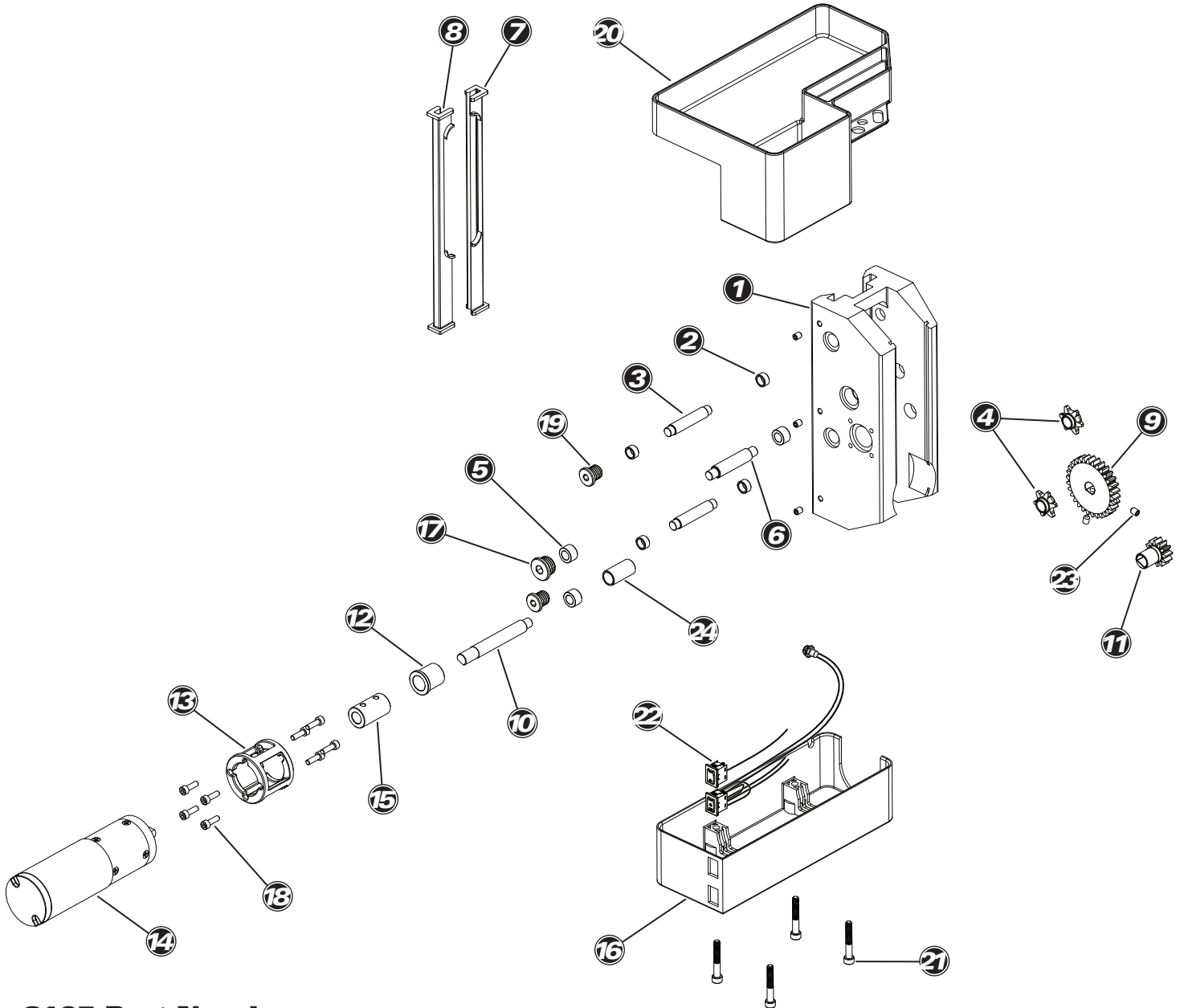




2105 Carriage Assembly for PRS-33/PRS-33AOK

Park Tool Co. 5115 Hadley Ave. N., St. Paul, MN 55128 (USA) www.parktool.com



2105 Part Numbers

Part No.	Description	Qty.
① 2120	Carriage	1
② 2121-4	Idler Shaft Bearing	4
③ 2122-2	Idler Sprocket Shaft	2
④ 2123-2	Idler Sprocket	2
⑤ 2126-2	Drive Shaft Bearing	5
⑥ 2124	Drive Shaft	1
⑦ 2129	Carriage Bearing, Right	1
⑧ 2130	Carriage Bearing, Left	1
⑨ 2131	Drive Gear and Sprocket	1
⑩ 2133	Drive Gear Shaft	1
⑪ 2132	Drive Gear	1
⑫ 2137	Flanged Bearing	1

Part No.	Description	Qty.
⑬ 2134	Motor Mount	1
⑭ 2135	Motor	1
⑮ 2136	Shaft Coupling	1
⑯ 2139	Motor Enclosure	1
⑰ 2144	Drive Plug	1
⑱ 2141-8	Socket Head Cap Screw, M5 x 0.8 x 16	8
⑲ 2145	Idler Plug	2
⑳ 2138	Work Tray Top	1
㉑ 541	Socket Head Cap Screw, M6 x 40	4
㉒ 2149	Wiring Harness (includes wiring & both switches)	1
㉓ 609	Set Screw, M6 x 8 mm	5
㉔ 2146	Drive Gear Spacer	1