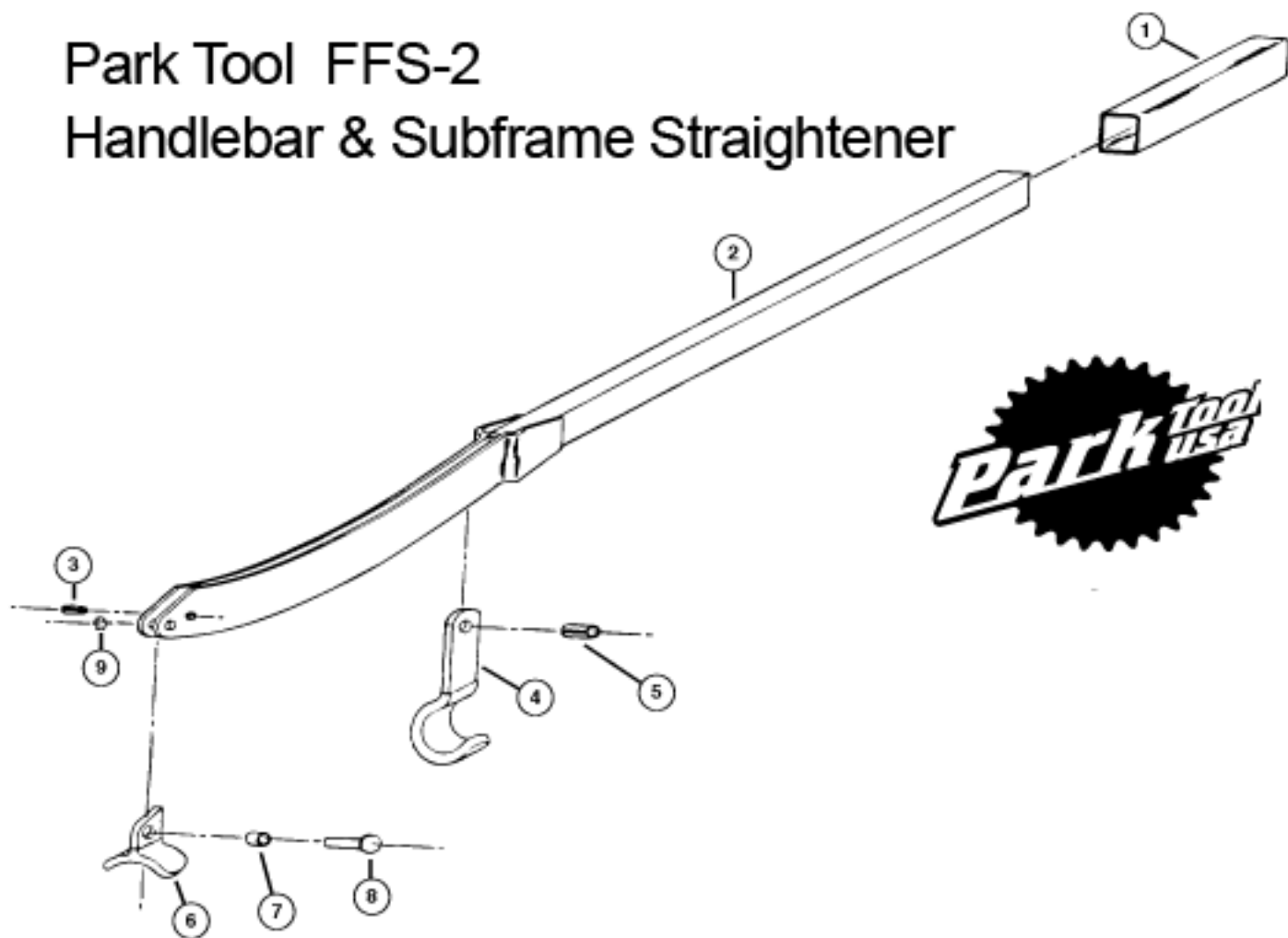


Park Tool FFS-2 Handlebar & Subframe Straightener



Ref. No.	Part No.	Description
1	428	Handle Grip
2	423	Handle Weldment
3	427	Split Pin 3/16 x 5/8
4	424	Revised Pulling Hook
5	426	Split Pin 3/8 x 7/8
6	418	Pad
7	421	Spacer
8	425*	Button Head Socket Cap Screw M6 x 25
9	290*	Nylon Lock Nut M6

* NOTE: #425 and #290 must be replaced together