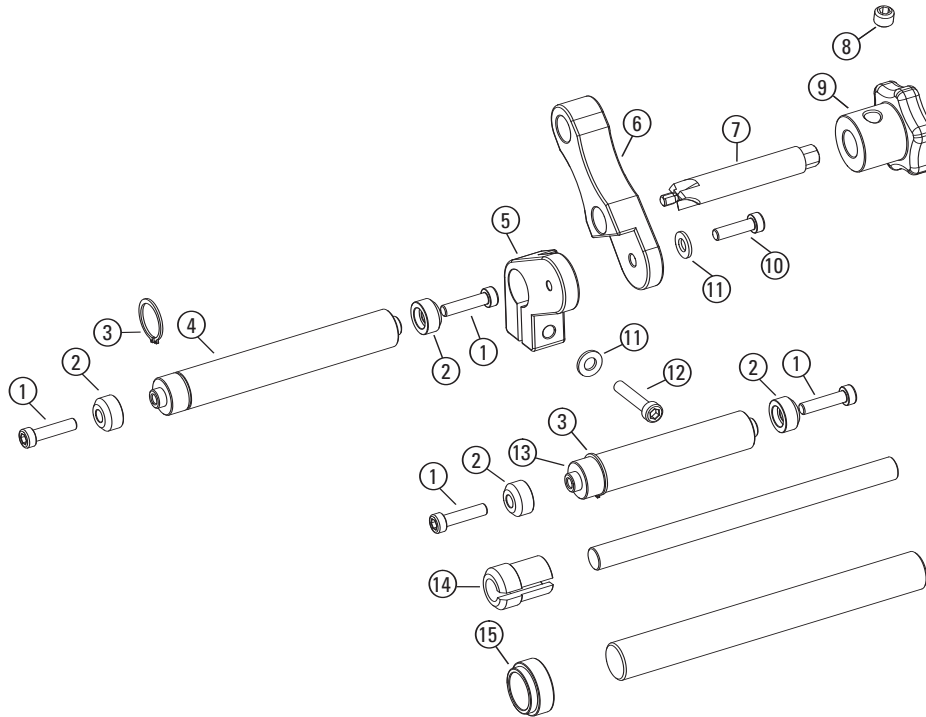


# PARK TOOL DISC MOUNTING FACING TOOL DT-1



<b>Ref. No.</b>	<b>Part No.</b>	<b>Description</b>
1	1772-4	Axle Mounting Bolt M6 x 25mm
2	1773-4	Axle Washer
3	1775-2	External Retaining Ring
4	1774	Rear Axle
5	1769	Lower Body
6	1770	Upper Body
7	1767	Cutter
8	1766	Knob Set Screw
9	1765	Cutter Knob
10	1768	Pivot Bolt M6 x 22mm
11	1556-4	Washer
12	1771	Pinch Bolt M6 x 30mm
13	1776	Front Axle
14	1777	Bushing for 12mm Through Axle (axle not included)
15	1778	Bushing for 20mm Through Axle (axle not included)