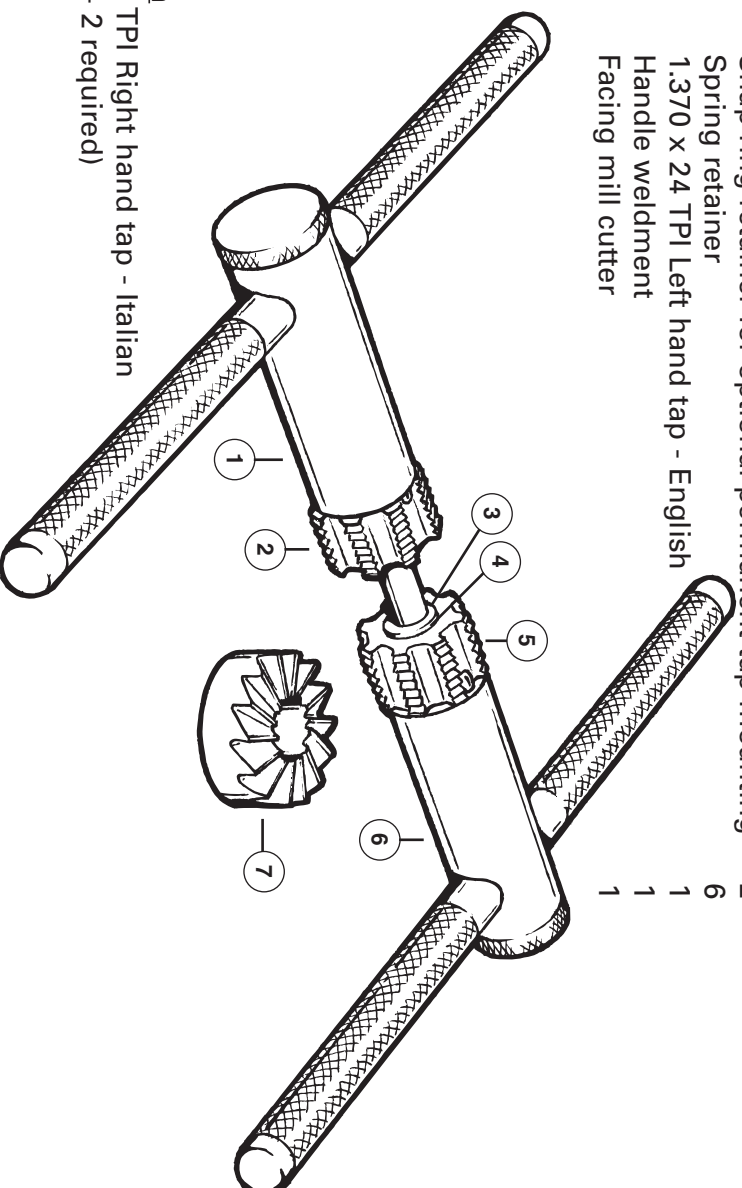


BOTTOM BRACKET TAPPING SET BTS-1

<u>Ref. No.</u>	<u>Part No.</u>	<u>Description</u>	<u>Qty.</u>
1	676	Handle Weldment with Arbor	1
2	691	1.370 x 24 TPI Right hand tap - English	1
3	675	Snap ring retainer for optional permanent tap mounting	2
4	674	Spring retainer	6
5	692	1.370 x 24 TPI Left hand tap - English	1
6	671	Handle weldment	1
7	690	Facing mill cutter	1



Part No. 693 **Description** 36mm x 24 TPI Right hand tap - Italian
(optional - 2 required)