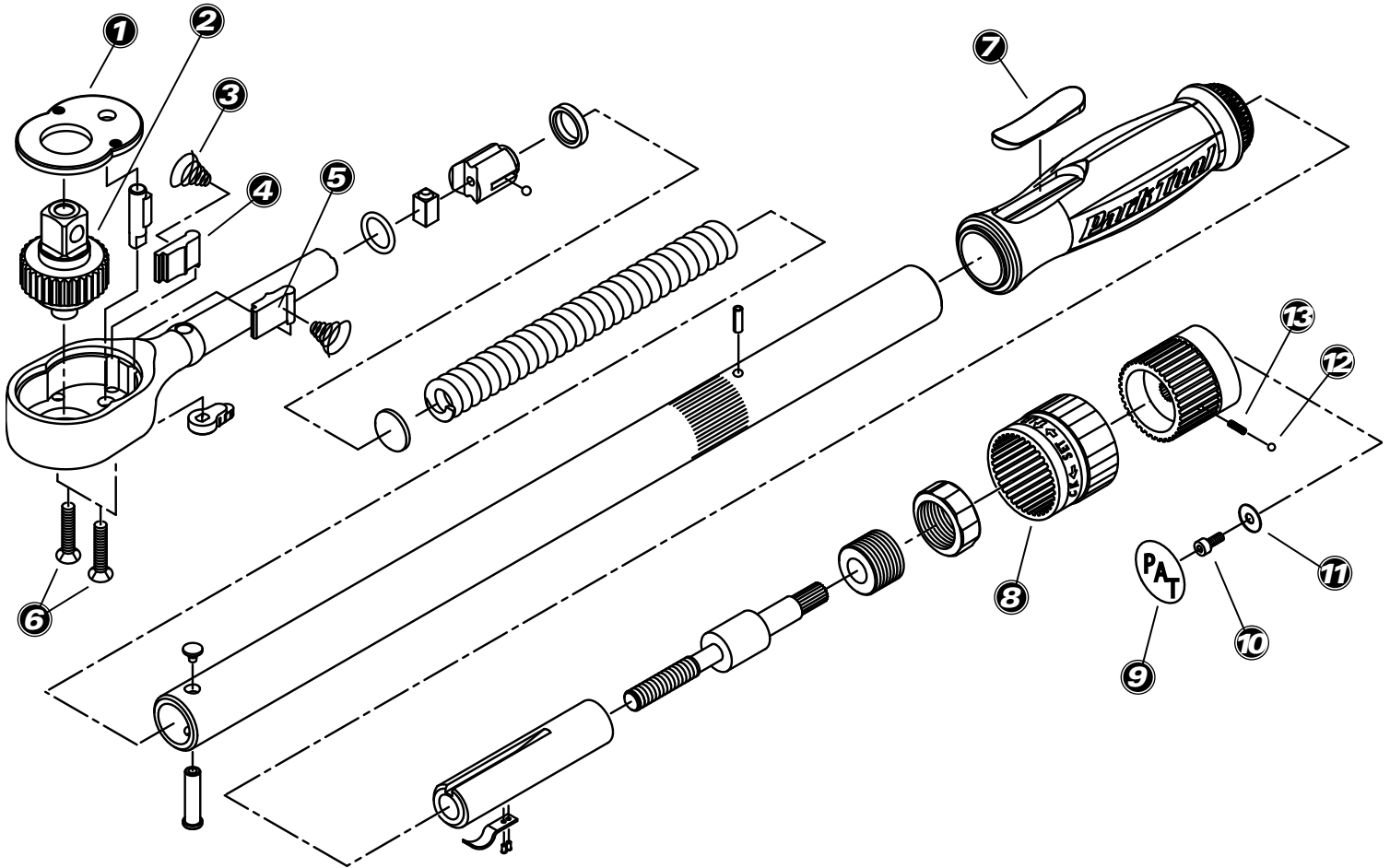




# TW-6 Ratcheting "Click-Type" Torque Wrench

Park Tool Co. [www.parktool.com](http://www.parktool.com)



## TW-6 part numbers

Part No.	Description
① 1985	Face
② 1986	Square Post
③ 1649S	Ratchet Paddle Spring
④ 1649P-R	Ratchet Paddle - Right
⑤ 1649P-L	Ratchet Paddle - Left
⑥ 1987-2	Head Screw
⑦ 1993	Clear Window
⑧ 1649	Dial Ring
⑨ 1990	Decal
⑩ 1988	Cap Bolt
⑪ 1989	Cap Washer
⑫ 1991	Small Bearing
⑬ 1992	Spring