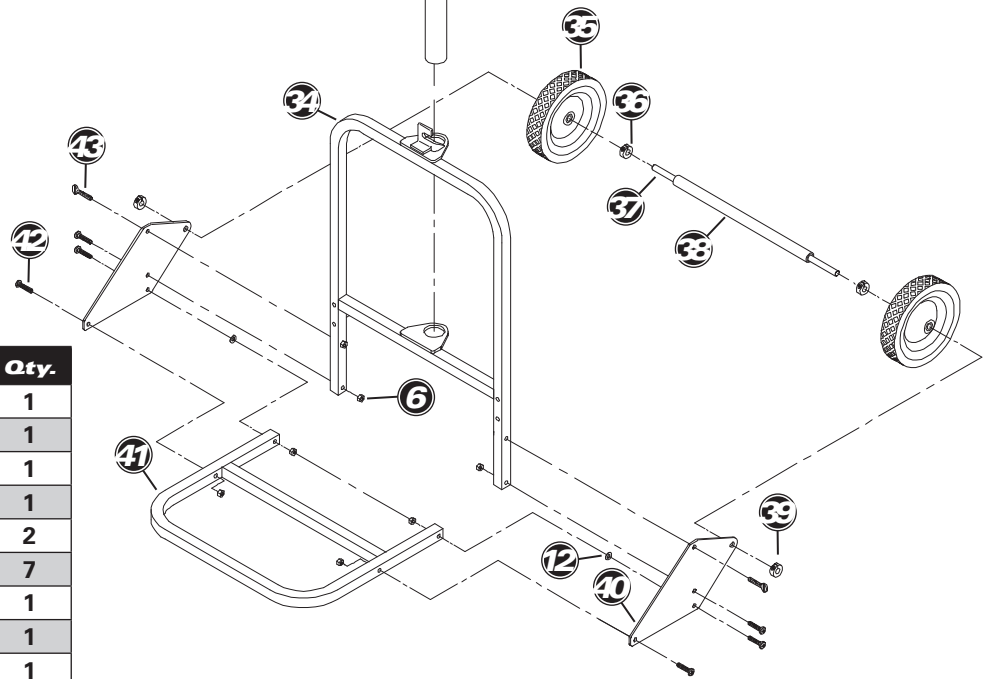
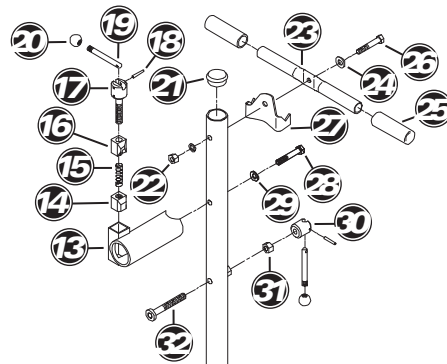
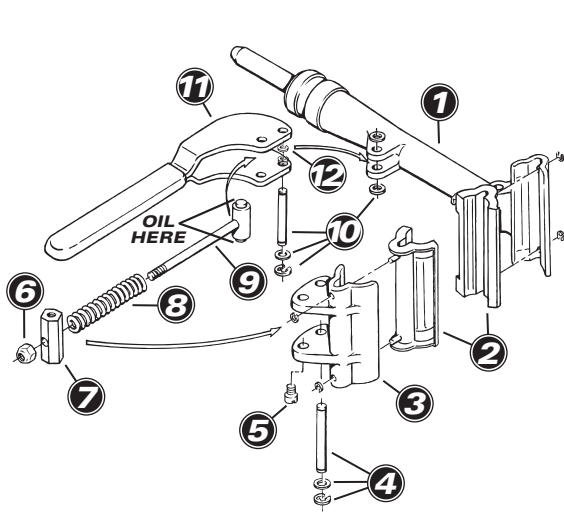




PRS-13 Professional Mobile Repair Stand

Park Tool Co. www.parktool.com



PRS-13 part numbers

Part No.	Description	Qty.
① 102-8	Rotating Shaft	1
② 468B	Jaw Cover Set with Circlips	1
③ 101-8	Moveable Jaw	1
④ 107S-2	Pin with Circlips and Washers	1
⑤ 116S	Cap Screw 5/16 - 18 x 3/8"	2
⑥ 113A	Thin Nylon Locknut 5/16 - 18	7
⑦ 112A	Linkage Pivot	1
⑧ 111A-6R	Spring	1
⑨ 110B	Linkage	1
⑩ 108A-2	Pin with Circlips and Washers	1
⑪ 103B	Handle	1
⑫ 198	Washer 5/16"	2
⑬ 124A	Top Tube	1
⑭ 113S	Threaded Lock Block	1
⑮ 115S	Spring	1
⑯ 860	Keyed Lock Block	1
⑰ 112S	Lock Block Bolt Assembly	1
⑱ 109S	Spring Pin 5/32" x 1-1/4"	2
⑲ 111S	Handle	2
⑳ 110S	Ball Knob	2
㉑ 179A	End Cap	1
㉒ 128-5	Nut 7/16"	1
㉓ 851	Handle	1
㉔ 280	7/16" Washer, 1" OD	1
㉕ 851-2	Handle Grip	2
㉖ 128B	Bolt 7/16 - 14 x 2-1/2"	1
㉗ 869	Reinforcing Handle Bracket	1

Part No.	Description	Qty.
㉘ 128B	Bolt 7/16" - 14 x 2-1/2"	1
㉙ 128-3	7/16" Washer, 3/4" OD	2
㉚ 167-2	Handle Body	1
㉛ 212S	Hex Jam Nut 1/2 - 13	1
㉜ 862C	Upright Lock Stud Weldment	1
㉝ 850C	40" Upright Weldment	1
㉞ 852C	Upper Support Weldment	1
㉟ 865-2	Wheel	2
㊱ 870-2	Axle Centering Collar	2
㊲ 864	Wheel Axle	1
㊳ 871-1	Axle Sleeve Tube	1
㊴ 209S	1/2" Axle Shaft Collar	2
㊵ 858-2	Side Plate	2
㊶ 854C	Lower Support Weldment	1
㊷ 866-10	Machine Screw 5/16" x 1-1/2"	6
㊸ 867-2	Knob and Shaft 5/16" x 1-1/2"	2