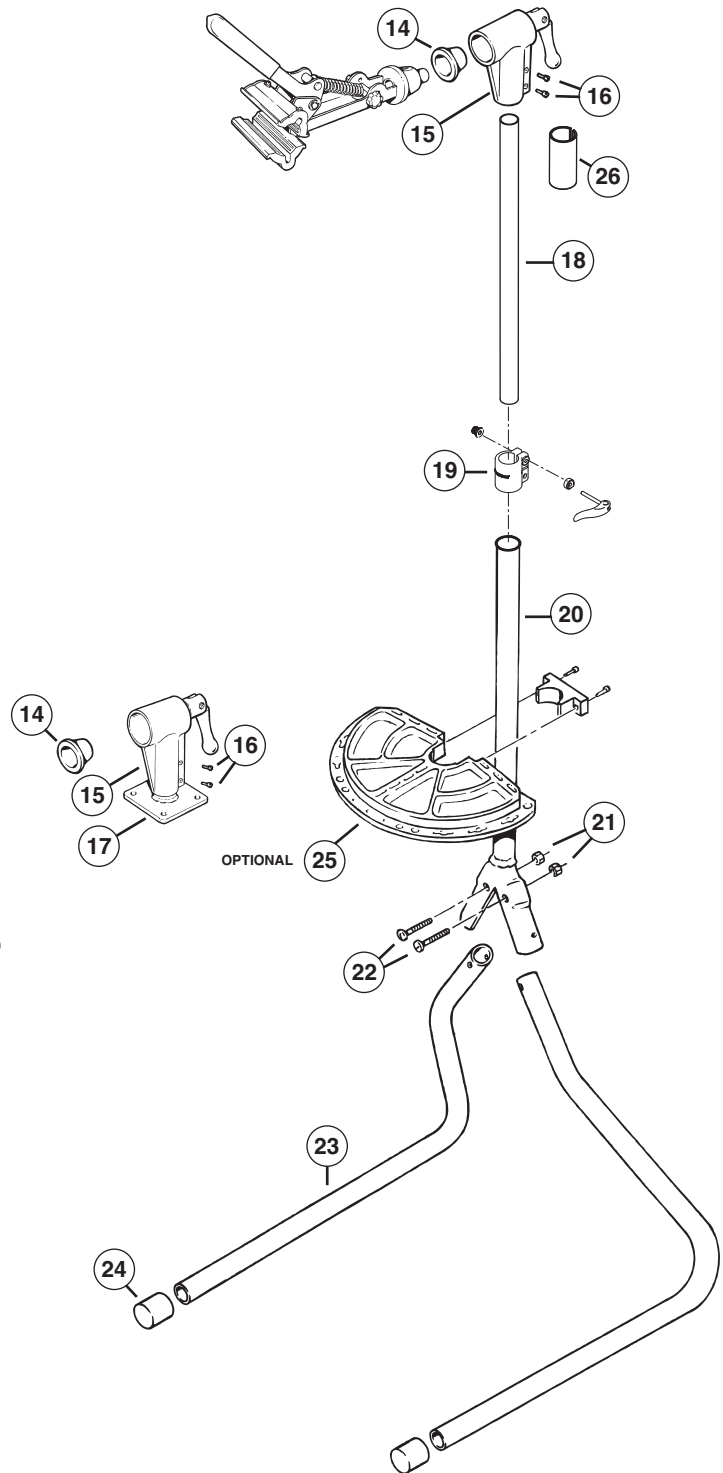
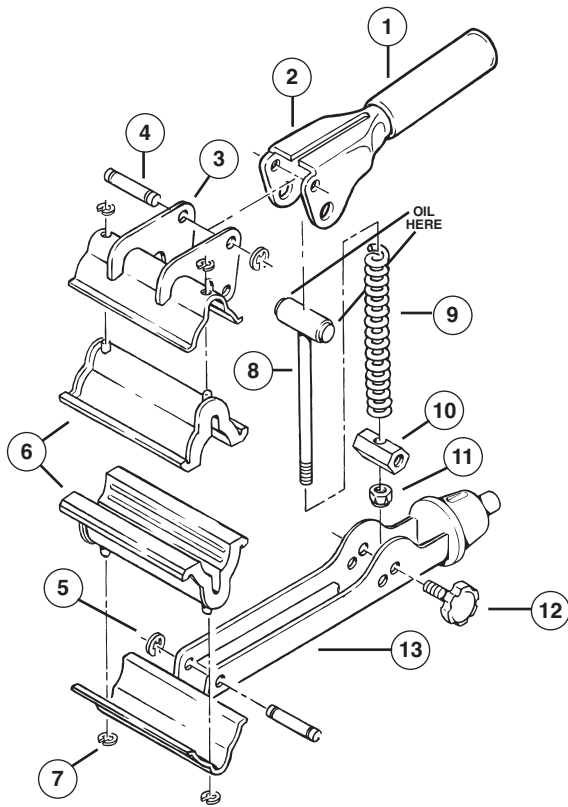




# HOME MECHANIC REPAIR STANDS PCS-1 & PCS-2 1/03 – 12/07





# HOME MECHANIC REPAIR STANDS PCS-1 & PCS-2 1/03 – 12/07

## PARTS LIST FOR PCS-1 & PCS-2 HOME MECHANIC REPAIR STANDS

Ref. No.	Part No.	Description	Qty.
1	138	Handle Grip	1
2	103-2	Handle	1
3	101-2	Movable Jaw	1
4	107-CS	Pin	2
5	107-2	5/16" Circlip	4
6	468G	Jaw Cover Set (2), Includes Circlips	1
7	467-1	3/16" Circlip	4
8	110B	Linkage	1
9	111A-6	Spring	1
10	112A-CS-R	Linkage Pivot	1
11	113A	Nut, 5/16 - 18 Thin Nylon Lock	1
12	112B-R	Linkage Pivot Knob	2
13	102-2R	Revised Rotating Shaft and Jaw	1
14	149	Tapered Sleeve	1
15	939C	Universal Top Tube Assembly	1
16	943-1/944	M5 x 25 Socket Head Cap Screw with 5mm nut	2
The following part is used on the PCS-2 only:			
17	195R	Bench Mount Weldment	1
The following parts are used on the PCS-1 only:			
18	927	Extension Tube	1
19	928A	Sleeve Assembly	1
20	185-2R	Upright Weldment	1
21	226-2	1/4 - 20 Thin Nylon Lock Nut	2
22	187-2D	Bolt, 1/4 - 20 x 2"	2
23	187-2C	Leg	2
24	190-2	Leveling End Cap	2
25	104	Work Tray Complete (Optional)	
26	926	Nylon Shim	1