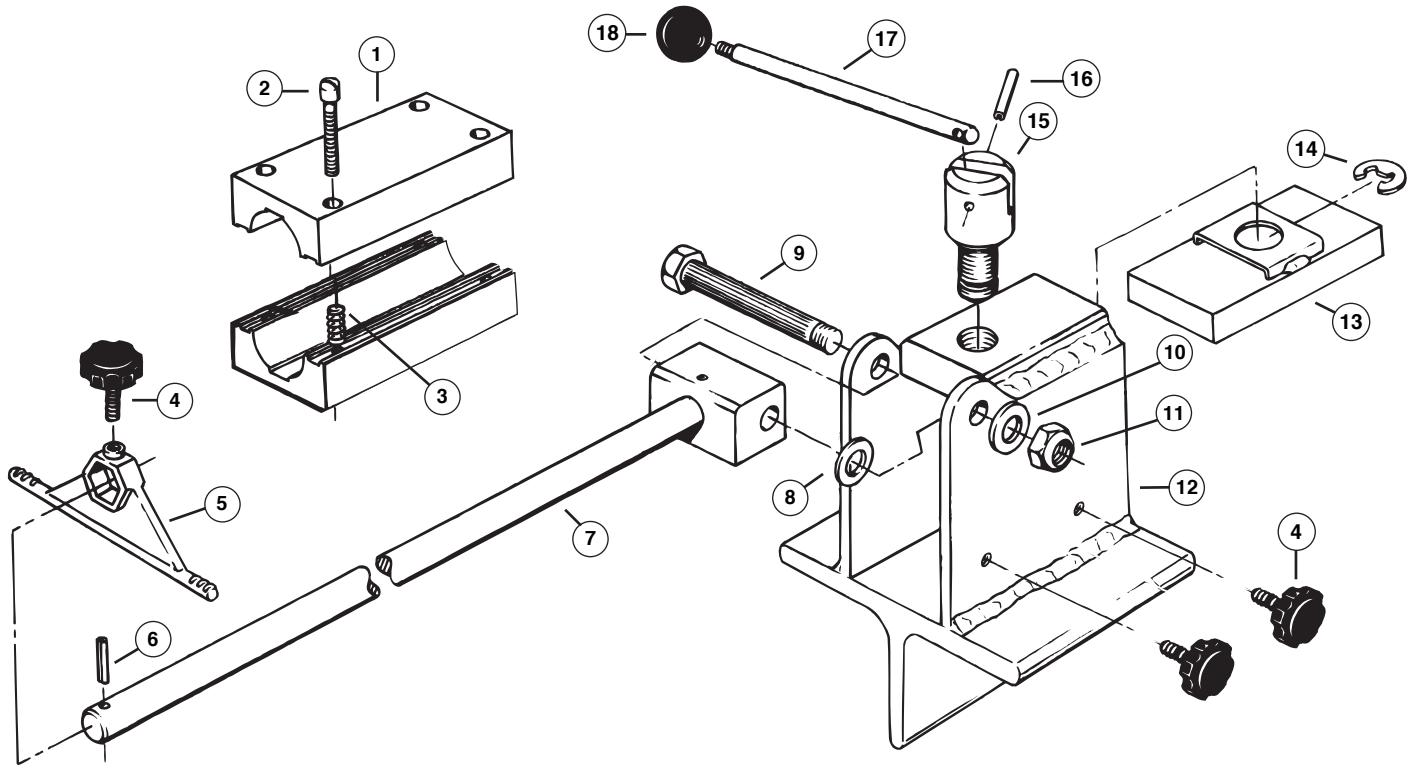


# PARK TOOL FORK CLAMP AND GAUGE FCG-1



<u>Ref. No.</u>	<u>Part No.</u>	<u>Description</u>
1	636	1" Cartridge
2	648	Bolt 8 - 32 x 1-1/2"
3	649	Spring
4	259	Knob and shaft
5	160R	Sliding gauge
6	165	Spring pin 1/4 x 3/4
7	646	Gauge arm shaft
8	645A	Steel thrust washer
9	645	Bolt
10	205S	Washer 1/2"
11	233-2	Thin nylon lock nut 1/2 - 20
12	643	Clamp body
13	634	Pressure plate
14	632	Circlip
15	630	Threaded boss
16	109S	Spring pin 5/32x 1-1/4
17	631	Handle
18	110S	Ball knob